

PCB Prints and Assembly Notes

EmotiGlass Prototype Revision 1.1
 Jason Meyers, David Prutchi 20181009

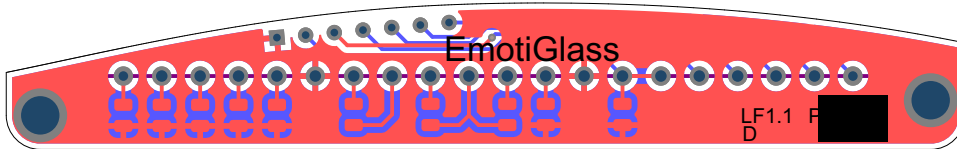
PCBs here are shown looking at outside of glasses (wearer is looking at you).
 Left and Right are as worn. Through hole components on top layer (red) unless noted.

Right Front

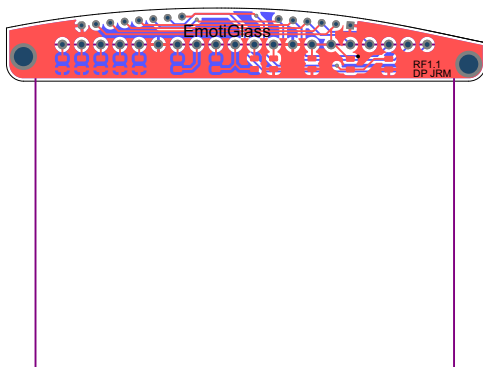


Q20 dot indicates collector. Unlabeled footprints are C20-C29.
 Display mounts to bottom.

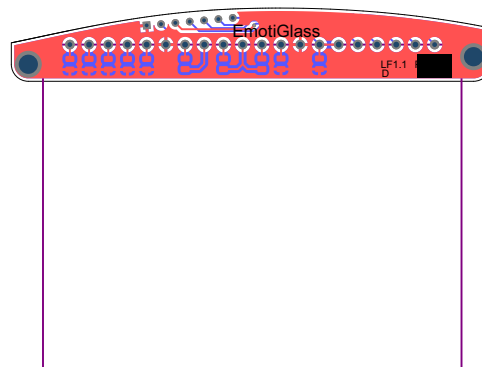
Left Front



Unlabeled footprints are C30-C39. Display mounts to bottom.

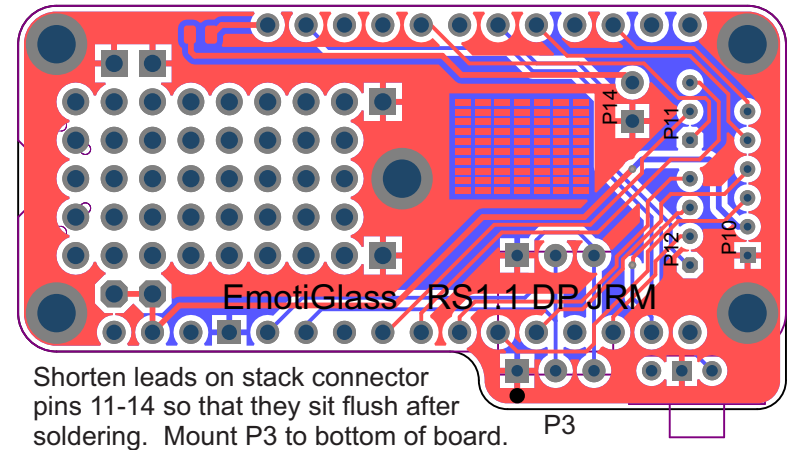


Right Front (Actual Size)



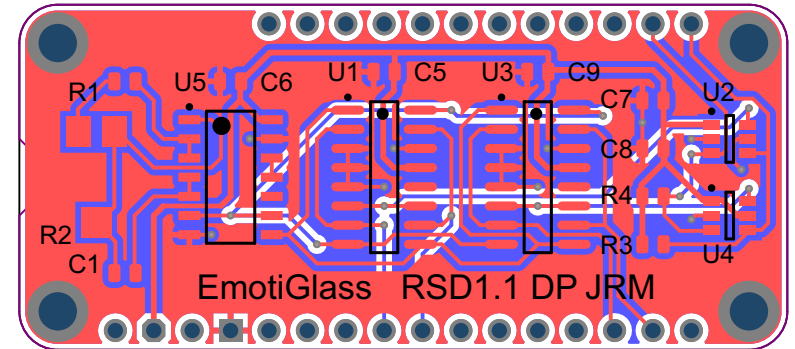
Left Front (Actual Size)

F30 **Right Side**

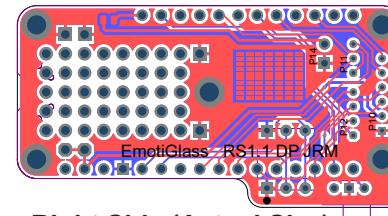


Shorten leads on stack connector pins 11-14 so that they sit flush after soldering. Mount P3 to bottom of board.

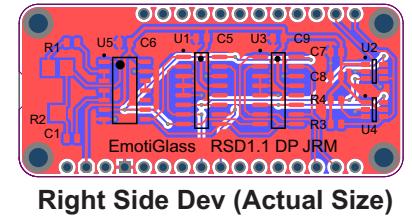
Right Side Dev



Install stack connector on bottom.



Right Side (Actual Size)



Right Side Dev (Actual Size)

This work is licensed under the Creative Commons Attribution-ShareAlike 4.0 International License. To view a copy of this license, visit <http://creativecommons.org/licenses/by-sa/4.0/>.

